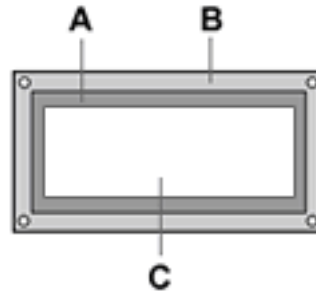
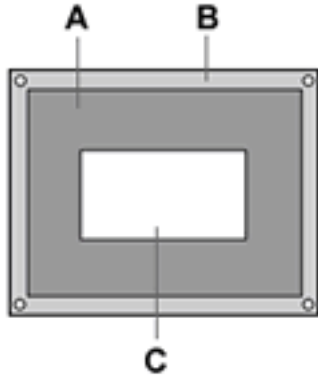




www.HarveyGear.com

Customer Name: _____

Stall Sign



Select your size:

Large 21 x 17

Small 5 x 22

Select your sign's colors:

A. Center Panel _____

B. Outer Trim Color _____

Select embroidery for your sign:

(Make sure text's spelling is correct)

C. Text Embroidery (the top line will be larger than subsequent lines)

Text Font _____

Text Thread Color _____