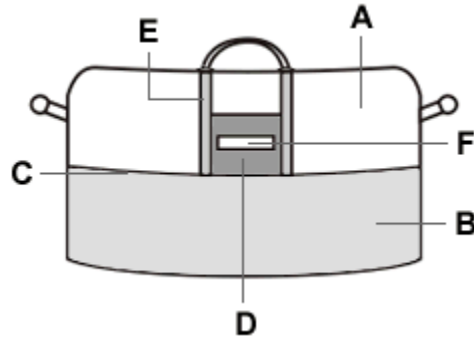




www.HarveyGear.com

Customer Name: _____

Sulky Sack



Select your bag's colors:

- A. Main bag Color _____
- B. Bottom Panel Color _____
- C. Trim Color _____
- D. Pocket Color _____
- E. Nylon Strap Color _____

Select embroidery for your bag:
(Make sure text's spelling is correct)

F. Text Embroidery

Text Font _____

Text Thread Color _____